



COACHMAN

Quality Redefined

2019 Service, Warranty and Technical Data Manual



You are now the owner of a Coachman touring caravan; whether you are a new or experienced caravanner, we hope you will have many years of pleasure in joining the ever growing band of people who choose to spend their leisure time in a Coachman caravan.

In addition to this booklet, which covers the service, warranty and technical detail requirements of your caravan, you will also find in the pack of information provided the Coachman Caravan Company Limited Handbook, which together with special equipment leaflets, will provide you with the operational information you require to operate your caravan.

All Coachman models have been certified by the National Caravan Council for compliance with stringent European Standards, British Legislation and industry set Codes of Practice, specifically relating to health and safety issues. The approval process covers the testing and inspection of critical areas of the product from fire safety, weights and dimensions to gas, electrics and ventilation.

Additionally, we believe that comprehensive and efficient aftercare support is vital in today's market. To reflect this and the confidence we have in our products, every caravan produced by Coachman Caravan Company Limited comes complete with a three year manufacturer's warranty.

This warranty is conditional on annual servicing being carried out as detailed in the following pages. This warranty is designed to reaffirm our commitment to you.

Your supplying dealer is responsible for carrying out a thorough pre-delivery inspection on your caravan and also arranging for any warranty work or routine servicing which may be required. Authorised dealers will be able to supply any replacement parts for your caravan should the need arise along with any accessories you may require. Please note it is not possible to purchase or obtain replacement parts or accessories from Coachman Caravan Company Limited, they must be supplied by your dealer.

All new caravans must be registered with us within 6 weeks of purchase as new.

To activate your warranty, the registration form opposite must be completed and returned to Coachman Caravan Company Limited Aftercare Operations.

It should be noted that distributors and dealers are not the agents of Coachman Caravan Company Limited and therefore, are not authorised to bind the company by any specific or implied undertaking or representation.

WARRANTY

REPAIRS

If you damage your caravan or it should require repairing for any reason, please contact your supplying dealer. These repairs must be carried out by an authorised dealer using Coachman genuine parts, recommended sealant and following Coachman procedures.

All Coachman caravans are classed as portable and therefore all warranty work requires the caravan to be delivered and collected from the supplying dealer. The cost of transporting, towing or moving the caravan to and from the place of repair is the responsibility of the owner.

WARRANTY

All Coachman caravans carry a **three year manufacturer's warranty**. This warranty applies to the UK and Northern Ireland.

During the first twelve months of ownership the Coachman manufacturer's warranty will cover faults arising from manufacturing defects but not those which are the results of normal wear and tear or accidental damage caused by misuse of any component part of the caravan. Exclusions also include tyres, fuses, LED lighting and bulbs, and proprietary products which are covered by the respective manufacturers' own guarantee and service arrangements.

In years two and three the warranty will cover all original components of the caravan including permanently fitted equipment forming part of the original manufacturer's specification plus water ingress and delamination.

The specific exclusions of the Coachman Caravan Company Ltd Warranty during years two and three are bright work and all similar finishes, tables, hinges, knobs, window catches, stays and associated fittings, adjustments, bulbs, LED lighting and electrical connections, entertainments/communications system, microwaves, chrome work and mirrors.

Proprietary products which are covered by the respective manufacturers' own guarantee and service arrangements.

The caravan is not covered if: the manufacturer's identification (17 digit vehicle identification number) has been removed or defaced. The Coachman Three Year Manufacturer's Warranty also excludes the following:

- Failure due to reasons of fair wear and tear
- Damage resulting from accidents
- Misuse of any component
- Replacement of parts which have reached the end of their effective working life because of age and/or usage
- Cleaning or adjustment of any component
- Caravans used for hire or reward
- Caravans used for other than recreational purposes, i.e. for living in or business purposes
- The cost of transporting the caravan, by whatever means, to the place of repair
- Any consequential cost or loss arising
- Damage by mould
- Damage by forces of nature
- Damage by vermin

All Coachman caravan warranties have a requirement that a full annual service is carried out by a competent service centre. This service must be carried out within 90 days either side of the anniversary of the date of the purchase for interim years before the anniversary date of the 3rd year, in accordance with the National Caravan Council's recommendations as detailed in the service section of the Service, Warranty and Technical Data Manual; failure to do so will invalidate your Coachman warranty.

Your service handbook must be stamped accordingly and the original VAT invoices and damp report must be retained as proof that the annual service has been carried out in accordance with the warranty terms and conditions.

The dealership from which you purchased your caravan is liable for warranty repairs. Any other approved dealer/workshop may carry out work on a caravan at his own convenience and discretion but is not obliged to.

WATER INGRESS

On every new Coachman caravan sold, we offer a comprehensive **6 year water ingress and delamination warranty:**

- Water ingress between new and 6 years - Coachman Caravan Company Limited will pay the total labour costs and supply parts free of charge providing there is a full service history and the 6th service is completed before the anniversary date from the original date of purchase. This applies to water ingress through any permanently sealed joints.

If you purchase a Coachman caravan as a used caravan, it is possible to transfer the unexpired term of the warranty and water ingress cover for up to six years from the original date of purchase. Please see rear of the **Service Warranty, and Technical Data Manual** change of ownership form. This warranty and offer is subject to the conditions, terms and exclusions. A small charge will be made for carrying out the transfer. This transfer must be completed within 28 days of change of ownership.

Additionally for 2015 onwards for the first owner, Coachman make a 10 year water ingress warranty:

- Water ingress between 6 and 10 years - Coachman will pay the total labour cost and supply parts free of charge provided there is a full service history and the 3rd, 6th and 10th service were carried out before the anniversary date on the final year of this offer. This applies to water ingress through any permanently sealed joints.

To preserve this offer your annual services in years 1- 6 have been carried out in line with the service scheduling detailed. In years 7, 8 and 9 are carried out within 90 days either side of the anniversary of the date of purchase.

SERVICING

Your caravan requires servicing once a year. Your dealer will carry out your annual servicing, and complete the service document at the rear of this handbook as proof of regular maintenance. As with motor vehicle service documents, not only will the proof of regular servicing enhance your caravan resale value but, in the unlikely event of any defect appearing at some later date, a properly serviced and documented caravan service history will enable your dealer to rapidly assess, and where appropriate, carry out the necessary remedial work.

The annual service offered by your dealer will include checking and adjusting as necessary.

Regular servicing is a requisite of both the Coachman Caravan Company Limited Warranty and the Coachman Caravan Company Limited Water Ingress warranty.

Section (A) Chassis

1. Brakes/lights
2. Suspension
3. Axles and hubs
4. Tyres and pressures
5. Wheel bolts
6. Towing hitch and overrun device
7. Jockey wheel
8. Breakaway cable
9. Corner steadies
10. Check wheel carrier and grease sliding joints
11. Lubrication
12. Operational

Section (B) Exterior

1. Exterior panels
2. Windows
3. Rooflights
4. Entrance door/door locks
5. Wheel boxes
6. Mouldings
7. Gas bottle and locker
8. Ventilation
9. Paintwork
10. All seals, mouldings etc
11. Reflectors
12. Graphics

Section (C) Interior

1. Wall panels
2. Furniture
3. Curtains/blinds/flyscreens
4. Bedding/seating
5. Carpet
6. Doors and drawers
7. All hinges and catches
8. Ventilation
9. Hoses and sink plugs
10. Hot water system
11. Cold water system
12. Window hinges and stays
13. Cassette toilet
14. Shower
15. Shower tray
16. Central heating
17. Damp test

Section (D) Electrical

1. All interior lights/road lights
2. Water pump and switches
3. Refrigerator
4. Distribution unit
5. Charging unit
6. Junction box
7. Wiring and supports
8. Trailer connecting plugs
9. Overall tests ext. lights
10. Awning light
11. Electronic ignition (hob)
12. 12V/230V System where applicable

Section (E) Gas Installation

1. Hob burners
2. Oven
3. Heater
4. Fridge
5. Water heating
6. Fully operational
7. Leak tested

Section (F) Final

1. Road test

ANNUAL SERVICE RECORD

CARAVAN MODEL

VEHICLE IDENTIFICATION NUMBER

1ST SERVICE

To be completed between weeks 39 & 65 since purchase.

Date:

Dealer's stamp:

I/We certify that an annual service has been carried out in accordance with the manufacturer's and National Caravan Council recommendations.

2ND SERVICE

To be completed between weeks 91 & 117 since purchase.

Date:

Dealer's stamp:

I/We certify that an annual service has been carried out in accordance with the manufacturer's and National Caravan Council recommendations.

3RD SERVICE

To be completed between weeks 143 & 156 since purchase.

Date:

Dealer's stamp:

I/We certify that an annual service has been carried out in accordance with the manufacturer's and National Caravan Council recommendations.

4TH SERVICE

To be completed between weeks 195 & 221 since purchase.

Date:

Dealer's stamp:

I/We certify that an annual service has been carried out in accordance with the manufacturer's and National Caravan Council recommendations.

5TH SERVICE

To be completed between weeks 248 & 272 since purchase.

Date:

Dealer's stamp:

I/We certify that an annual service has been carried out in accordance with the manufacturer's and National Caravan Council recommendations.

6TH SERVICE

To be completed by week 312 since purchase.

Date:

Dealer's stamp:

I/We certify that an annual service has been carried out in accordance with the manufacturer's and National Caravan Council recommendations.

ANNUAL SERVICE INSPECTION RECORD

7TH SERVICE

To be completed between weeks 352 & 376 since purchase.

Date:

Dealer's stamp:

I/We certify that an annual service has been carried out in accordance with the manufacturer's and National Caravan Council recommendations.

8TH SERVICE

To be completed between weeks 404 & 428 since purchase.

Date:

Dealer's stamp:

I/We certify that an annual service has been carried out in accordance with the manufacturer's and National Caravan Council recommendations.

9TH SERVICE

To be completed between weeks 456 & 480 since purchase.

Date:

Dealer's stamp:

I/We certify that an annual service has been carried out in accordance with the manufacturer's and National Caravan Council recommendations.

10TH SERVICE

To be completed by week 520 since purchase.

Date:

Dealer's stamp:

I/We certify that an annual service has been carried out in accordance with the manufacturer's and National Caravan Council recommendations.

11TH SERVICE

Date:

Dealer's stamp:

I/We certify that an annual service has been carried out in accordance with the manufacturer's and National Caravan Council recommendations.

12TH SERVICE

Date:

Dealer's stamp:

I/We certify that an annual service has been carried out in accordance with the manufacturer's and National Caravan Council recommendations.

13TH SERVICE

Date:

Dealer's stamp:

I/We certify that an annual service has been carried out in accordance with the manufacturer's and National Caravan Council recommendations.

14TH SERVICE

Date:

Dealer's stamp:

I/We certify that an annual service has been carried out in accordance with the manufacturer's and National Caravan Council recommendations.

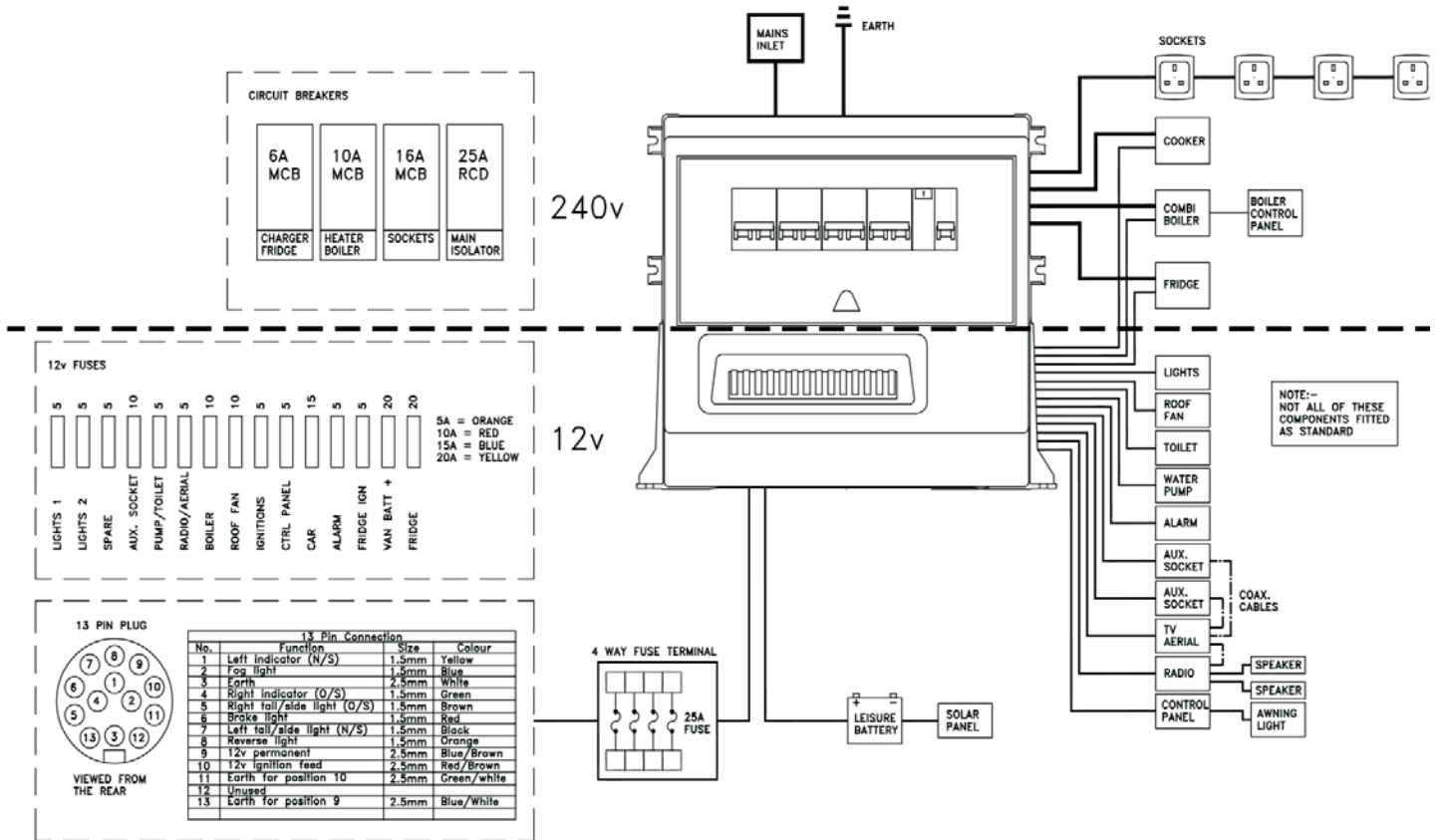
15TH SERVICE

Date:

Dealer's stamp:

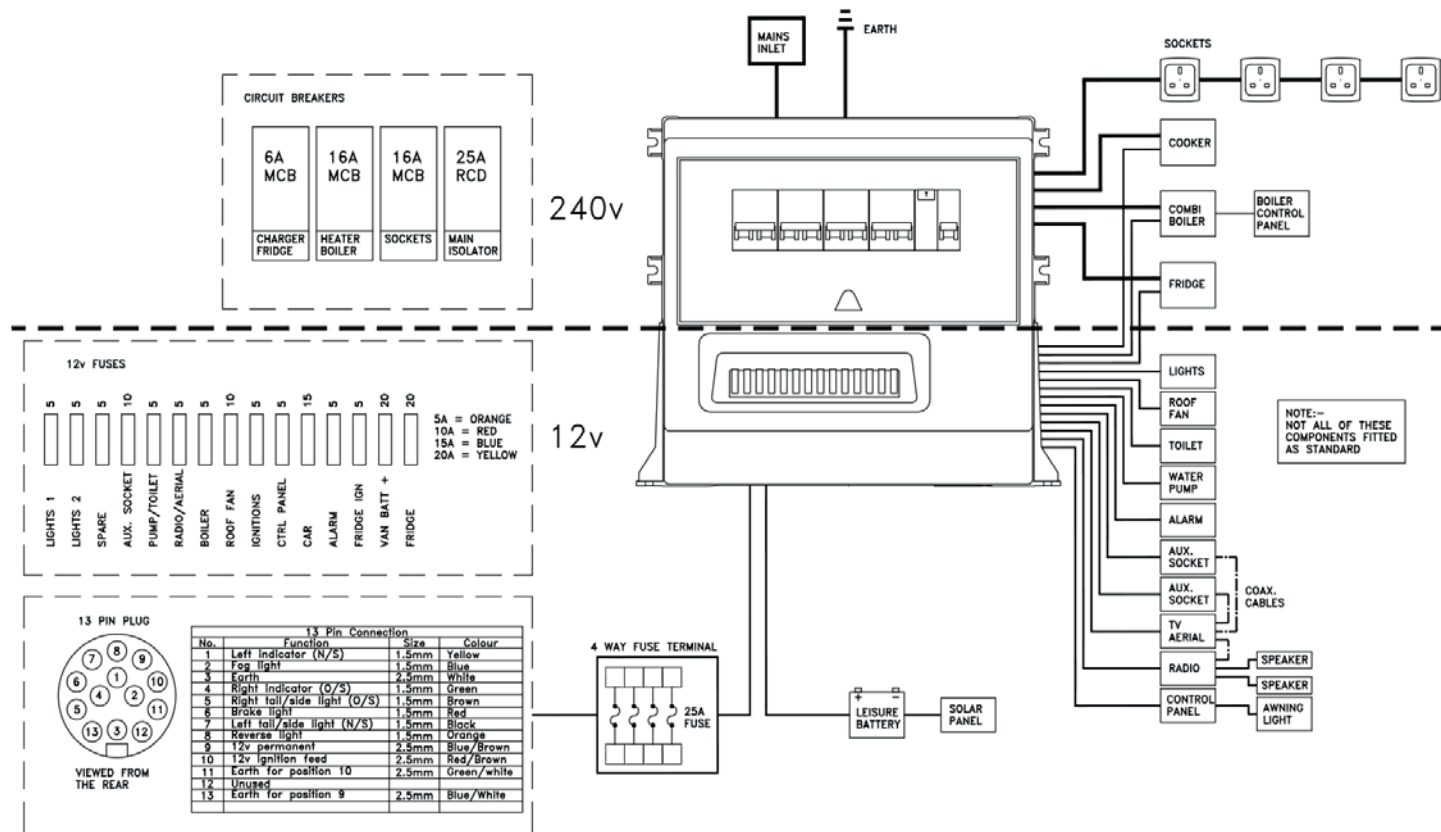
I/We certify that an annual service has been carried out in accordance with the manufacturer's and National Caravan Council recommendations.

2019 COACHMAN VISION CIRCUIT DIAGRAM

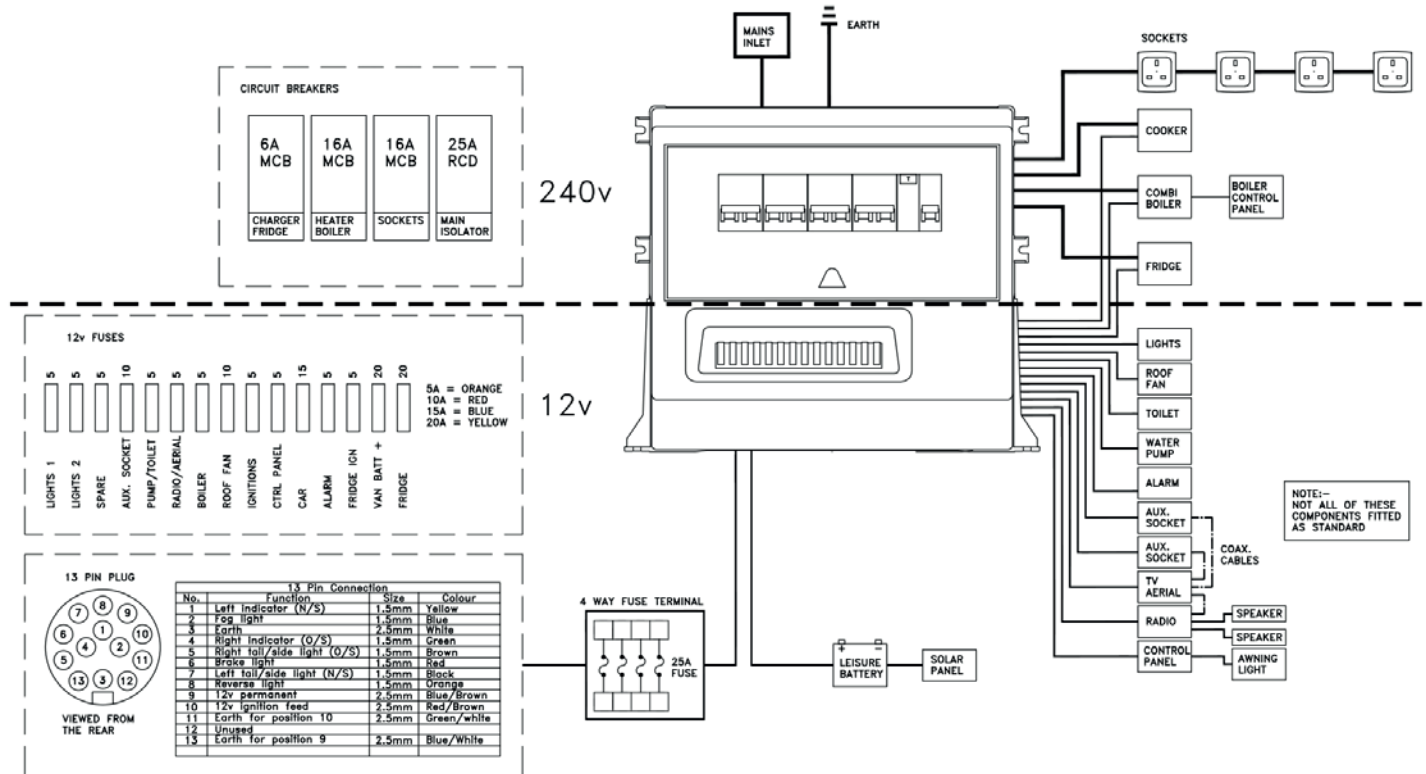


ANNUAL SERVICE INSPECTION RECORD

2019 COACHMAN PASTICHE CIRCUIT DIAGRAM

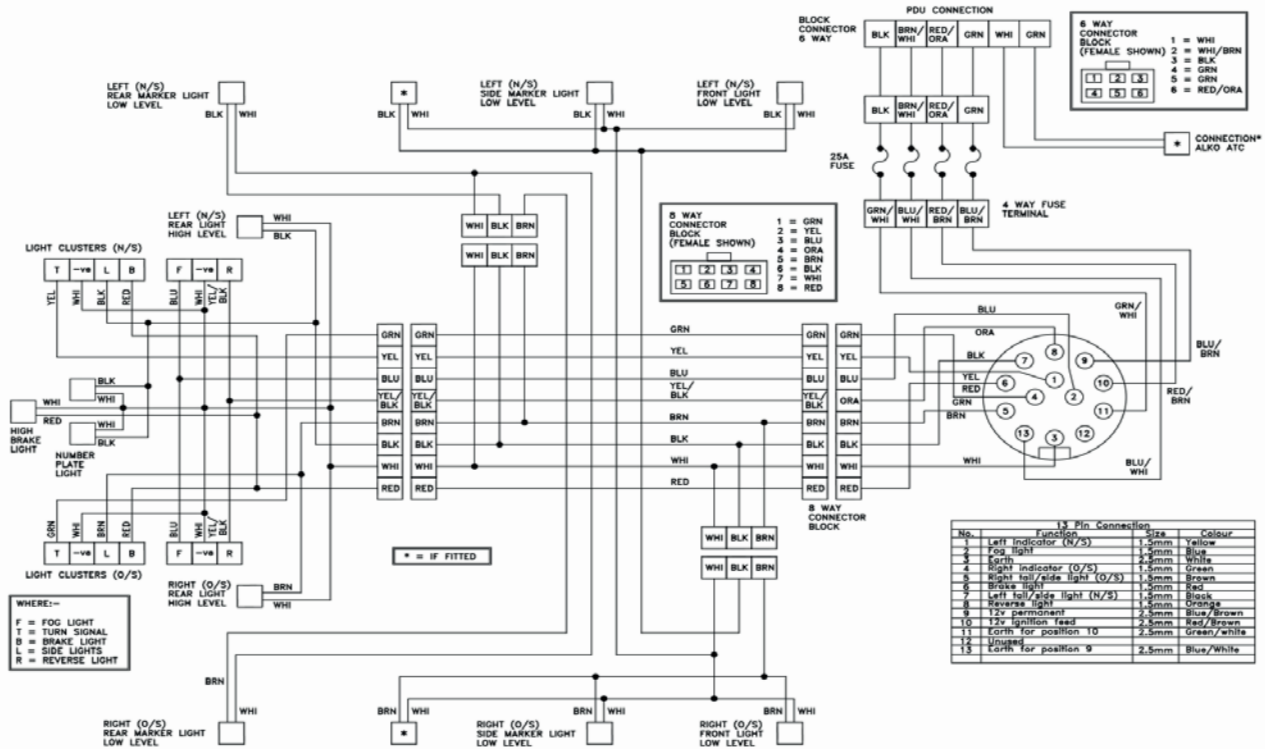


2019 COACHMAN VIP/LASER CIRCUIT DIAGRAM

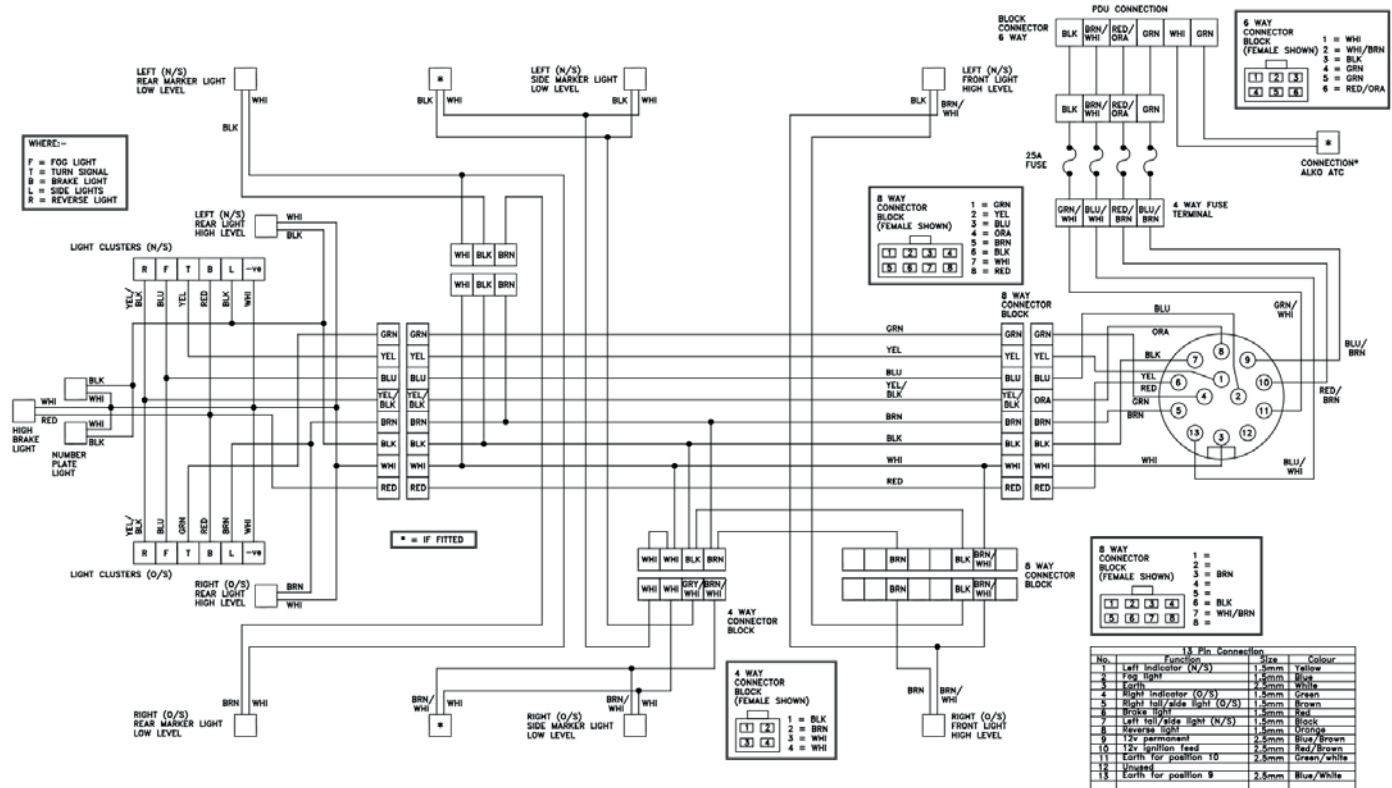


ANNUAL SERVICE INSPECTION RECORD

2019 COACHMAN VISION/PASTICHE ROAD LIGHT CIRCUIT DIAGRAM



2019 COACHMAN VIP/LASER ROAD LIGHT CIRCUIT DIAGRAM



WARRANTY & AFTER-SALES REFERENCE CHART

MANUFACTURER ADMINISTRATING WARRANTY WITH DEALERS

Appliance/ Component	Address of company providing warranty	Warranty Term	Contact number
Chassis, axle & under gear hitch, traction control and wheel lock (where fitted)	AL-KO, South Warwickshire Business Park, Kineton Road, Southam, Warwickshire CV47 0AL	36 months	01926 818500
Entertainment system	Base Systems Limited, B19 Ribble Court, Red Scar Business Park, Preston, PR2 5NJ	12 months	01772 886000
Alarm (where fitted)	Sargent Electrical Services Limited, Unit 39 Tokenspire Business Park, Woodmansey, Beverley HU17 0TB	36 months	01482 881655
Polyplastic windows	Miriad Products Limited, Park Lane, Dove Valley Business Park, Foston, South Derbyshire DE65 5BG	Optical 3 months Technical 24 months	01283 586060
Power centre/ chargers/ loom/ relays/ consumer unit control panels	BCA Leisure Limited, Unit H9 Premier Way, Lowfields Business Park, Elland HX5 9HF	36 months	01422 376977
Toilet, cooker, hob and refrigerator	Dometic UK Limited, Dometic House, The Brewery, Blandford Dorset, DT11 9LS	36 months	0344 626 0133
	Theftford Limited, Unit 6 Brookfields Way, Wath Upon Dearne, Rotherham S63 5DL	36 months	0844 997 1960
Soft furnishings	Belfield Furnishings Limited, Site 3, Furnace Road, Ilkeston DE7 5EP	24 months	0115 907 1700
	Leisure Furnishings Limited, Unit 4 Meadow Brookes Business Park, Meadow Lane, Long Eaton NG10 2GD	24 months	0115 946 3666
Heating systems	Alde International (UK) Limited, Huxley Close, Park Farm South, Wellingborough NN8 6AB	36 months	01933 677765
	Truma UK Limited, Park Lane, Dove Valley Business Park, Foston, South Derbyshire, DE65 5BG	36 months	01283 587900
Water systems	Whale, 2 Enterprise Road, Bangor, Co. Down, Northern Ireland BT19 7TA	36 months	028 9127 0531
Gas components	Whale, 2 Enterprise Road, Bangor, Co. Down, Northern Ireland BT19 7TA	36 months	028 9127 0531
Phantom (where fitted)	Phantom Ltd, 154 - 156 Higher Hillgate, Stockport, Greater Manchester, SK1 3QT	12 months	0161 476 4050
Smoke alarm	FireAngel, Vanguard Centre, Sir William Lyons Road, Coventry CV4 7EZ	36 months	0800 141 2561
Carbon monoxide alarm		36 months	
Solar panel and regulator (where fitted)	Solar Technology International Limited, Unit 6 Station Drive, Bredon, Tewsbury, Gloucestershire GL20 7HH	*See below	01684 774000

*Charge controller and cable gland 24 months | *Frame integrity 120 months | *Build quality and cell performance 240 months (assumes a rate of degradation of no greater than 20% by year 20)

The technical data information has been prepared to provide you with the dimensions, weights and sizes applicable to your caravan. It is recommended that you study the weight, size and tyre pressure information contained in this booklet to familiarise yourself with the specification of your caravan. For equipment operational information you should refer to the Coachman 2019 Handbook and the additional leaflets contained in your Owners' Information Pack.

All Coachman models have been certified by the National Caravan Council for compliance with stringent European Standards, British Legislation and industry set Codes of Practice, specifically relating to health and safety issues. The approval process covers the testing and inspection of critical areas of the product from fire safety, weights and dimensions to gas, electrics and ventilation.

Every Coachman caravan carries the "NCC Approved Caravan" badge. The NCC also conducts unannounced inspections at the Coachman factory to ensure continued compliance. NCC Approval gives you peace of mind that your caravan is legal and safe.

VISION TECHNICAL SPECIFICATIONS

MODEL	450	520	545
Number of Berths	2	3	4
Interior Length	4625mm / 15' 2"	5295mm / 17' 4"	5800mm / 19' 0"
Shipping Length	6255mm / 20' 6"	6925mm / 22' 9"	7430mm / 24' 5"
Overall Width	2260mm / 7' 5"	2260mm / 7' 5"	2260mm / 7' 5"
Overall Height (including T.V Aerial)	2600mm / 8' 6"	2600mm / 8' 6"	2600mm / 8' 6"
Maximum Headroom	1955mm / 6' 5"	1955mm / 6' 5"	1955mm / 6' 5"
Wheel Rim	5.5J x 14	5.5J x 14	5.5J x 14
Tyre Size	185 R14 104	185 R14 104	185 R14 104
Tyre Pressure (bar / psi at quoted MTPLM)	4.5 / 65	4.5 / 65	4.5 / 65
Bed Sizes - mm - option 1	2 x Single 1860 x 730 (6' 1" x 2' 5")	2 x Single 1860 x 730 (6' 1" x 2' 5") 1 x Single 1830 x 720 (6' 0" x 2' 4")	2 x Single 1540 x 730 (5' 1" x 2' 5") 1 x Double 1810 x 1370 (5' 11" x 4' 6")
Bed Sizes - mm - option 2	1 x Double 2010 x 1500 (6' 7" x 4' 11")	1 x Double 2010 x 1500 (6' 7" x 4' 11") 1 x Single 1830 x 720 (6' 0" x 2' 4")	1 x Double 2010 x 1180 (6' 7" x 3' 10") 1 x Double 1810 x 1370 (5' 11" x 4' 6")
MTPLM	1300kg / 25.6cwt	1405kg / 27.7cwt	1510kg / 29.7cwt
Mass in Running Order	1177kg / 23.2cwt	1265kg / 24.9cwt	1355kg / 26.6cwt
Personal Payload	123kg / 2.4cwt	140kg / 2.8cwt	155kg / 3.1cwt
Options Payload	0kg / 0cwt	0kg / 0cwt	0kg / 0cwt
Total / Maximum User Payload	123kg / 2.4cwt	140kg / 2.8cwt	155kg / 3.1cwt
Maximum Hitch Weight	100kg / 1.9vcwt	100kg / 1.9cwt	100kg / 1.9cwt
Awning Size (Approx. for reference only)	893cm	960cm	1010cm
Upper MTPLM (Optional weight plate upgrade)	1350kg	1500kg	1550kg

Note:- Please consult your dealer, for terms and conditions regarding a weight plate upgrade, to the upper MTPLM.

Note:- Awning sizes are given as a reference guide only, and are measured as the full length of the channel, with the height to the ground. Advise and dimensions should be checked with the awning manufacturer.

VISION TECHNICAL SPECIFICATIONS

MODEL	575	580	630
Number of Berths	4	5	5
Interior Length	5800mm / 19' 0"	5750mm / 18' 10"	6335mm / 20' 9"
Shipping Length	7430mm / 24' 5"	7380mm / 24' 3"	7965mm / 26' 2"
Overall Width	2260mm / 7' 5"	2260mm / 7' 5"	2260mm / 7' 5"
Overall Height (including T.V Aerial)	2600mm / 8' 6"	2600mm / 8' 6"	2600mm / 8' 6"
Maximum Headroom	1955mm / 6' 5"	1955mm / 6' 5"	1955mm / 6' 5"
Wheel Rim	5.5J x 14	5.5J x 14	5.5J x 14
Tyre Size	185 R14 104	185 R14 104	185/70 R14 88
Tyre Pressure (bar / psi at quoted MTPLM)	4.5 / 65	4.5 / 65	2.4 / 35
Bed Sizes - mm - option 1	2 x Single 1540 x 730 (5' 1" x 2' 5") 1 x Double 1875 x 1350 (6' 2" x 4' 5")	2 x Single 1740 x 730 (5' 9" x 2' 5") 1 x Single 1830 x 720 (6' 0" x 2' 4") 2 x Single bunks 1740 x 620 (5' 9" x 2' 0")	2 x Single 1740 x 730 (5' 9" x 2' 5") 1 x Single 1830 x 880 (6' 0" x 2' 10") 2 x Single bunks 1870 x 620 (6' 1" x 2')
Bed Sizes - mm - option 2	1 x Double 2010 x 1180 (6' 7" x 3' 10") 1 x Double 1875 x 1350 (6' 2" x 4' 5")	1 x Double 2010 x 1380 (6' 7" x 4' 6") 1 x Single 1830 x 720 (6' 0" x 2' 4") 2 x Single bunks 1740 x 620 (5' 9" x 2' 0")	1 x Double 2010 x 1380 (6' 7" x 4' 6") 1 x Single 1830 x 880 (6' 0" x 2' 10") 2 x Single bunks 1870 x 620 (6' 1" x 2')
MTPLM	1495kg / 29.4cwt	1510kg / 29.7cwt	1677kg / 33cwt
Mass in Running Order	1340kg / 26.4cwt	1346kg / 26.5cwt	1507kg / 29.7cwt
Personal Payload	155kg / 3.1cwt	164kg / 3.2cwt	170kg / 3.3cwt
Options Payload	0kg / 0cwt	0kg / 0cwt	0kg / 0cwt
Total / Maximum User Payload	155kg / 3.1cwt	164kg / 3.2cwt	170kg / 3.3cwt
Maximum Hitch Weight	100kg / 1.9cwt	100kg / 1.9cwt	100kg / 1.9cwt
Awning Size (Approx. for reference only)	1010cm	1005cm	1064cm
Upper MTPLM (Optional weight plate upgrade)	1550kg	1550kg	1800kg

VISION DEALER SPECIALS TECHNICAL SPECIFICATIONS (BASED ON THE MODELS BELOW)

MODEL	450	520	545
Number of Berths	2	3	4
Interior Length	4625mm / 15' 2"	5295mm / 17' 4"	5800mm / 19' 0"
Shipping Length	6255mm / 20' 6"	6925mm / 22' 9"	7430mm / 24' 5"
Overall Width	2260mm / 7' 5"	2260mm / 7' 5"	2260mm / 7' 5"
Overall Height (including T.V Aerial)	2600mm / 8' 6"	2600mm / 8' 6"	2600mm / 8' 6"
Maximum Headroom	1955mm / 6' 5"	1955mm / 6' 5"	1955mm / 6' 5"
Wheel Rim	5.5J x 14	5.5J x 14	5.5J x 14
Tyre Size	185 R14 104	185 R14 104	185 R14 104
Tyre Pressure (bar / psi at quoted MTPLM)	4.5 / 65	4.5 / 65	4.5 / 65
Bed Sizes - mm - option 1	2 x Single 1860 x 730 (6' 1" x 2' 5")	2 x Single 1860 x 730 (6' 1" x 2' 5") 1 x Single 1830 x 720 (6' 0" x 2' 4")	2 x Single 1540 x 730 (5' 1" x 2' 5") 1 x Double 1810 x 1370 (5' 11" x 4' 6")
Bed Sizes - mm - option 2	1 x Double 2010 x 1500 (6' 7" x 4' 11")	1 x Double 2010 x 1500 (6' 7" x 4' 11") 1 x Single 1830 x 720 (6' 0" x 2' 4")	1 x Double 2010 x 1180 (6' 7" x 3' 10") 1 x Double 1810 x 1370 (5' 11" x 4' 6")
MTPLM	1330kg / 26.2cwt	1433kg / 28.2cwt	1538kg / 30.3cwt
Mass in Running Order	1207kg / 23.8cwt	1293kg / 25.5cwt	1383kg / 27.2cwt
Personal Payload	123kg / 2.4cwt	140kg / 2.8cwt	155kg / 3.1cwt
Options Payload	0kg / 0cwt	0kg / 0cwt	0kg / 0cwt
Total / Maximum User Payload	123kg / 2.4cwt	140kg / 2.8cwt	155kg / 3.1cwt
Maximum Hitch Weight	100kg / 1.9cwt	100kg / 1.9cwt	100kg / 1.9cwt
Awning Size (Approx. for reference only)	893cm	960cm	1010cm
Upper MTPLM (Optional weight plate upgrade)	1350kg	1500kg	1550kg

Note:- Please consult your dealer, for terms and conditions regarding a weight plate upgrade, to the upper MTPLM.

Note:- Awning sizes are given as a reference guide only, and are measured as the full length of the channel, with the height to the ground. Advise and dimensions should be checked with the awning manufacturer.

VISION DEALER SPECIALS TECHNICAL SPECIFICATIONS (BASED ON THE MODELS BELOW)

MODEL	575	580	630
Number of Berths	4	5	5
Interior Length	5800mm / 19' 0"	5750mm / 18' 10"	6335mm / 20' 9"
Shipping Length	7430mm / 24' 5"	7380mm / 24' 3"	7965mm / 26' 2"
Overall Width	2260mm / 7' 5"	2260mm / 7' 5"	2260mm / 7' 5"
Overall Height (including T.V Aerial)	2600mm / 8' 6"	2600mm / 8' 6"	2600mm / 8' 6"
Maximum Headroom	1955mm / 6' 5"	1955mm / 6' 5"	1955mm / 6' 5"
Wheel Rim	5.5J x 14	5.5J x 14	5.5J x 14
Tyre Size	185 R14 104	185 R14 104	185/70 R14 88
Tyre Pressure (bar / psi at quoted MTPLM)	4.5 / 65	4.5 / 65	2.4 / 35
Bed Sizes - mm - option 1	2 x Single 1540 x 730 (5' 1" x 2' 5") 1 x Double 1875 x 1350 (6' 2" x 4' 5")	2 x Single 1740 x 730 (5' 9" x 2' 5") 1 x Single 1830 x 720 (6' 0" x 2' 4") 2 x Single bunks 1740 x 620 (5' 9" x 2' 0")	2 x Single 1740 x 730 (5' 9" x 2' 5") 1 x Single 1830 x 880 (6' 0" x 2' 10") 2 x Single bunks 1870 x 620 (6' 1" x 2' 0")
Bed Sizes - mm - option 2	1 x Double 2010 x 1180 (6' 7" x 3' 10") 1 x Double 1875 x 1350 (6' 2" x 4' 5")	1 x Double 2010 x 1380 (6' 7" x 4' 6") 1 x Single 1830 x 720 (6' 0" x 2' 4") 2 x Single bunks 1740 x 620 (5' 9" x 2' 0")	1 x Double 2010 x 1380 (6' 7" x 4' 6") 1 x Single 1830 x 880 (6' 0" x 2' 10") 2 x Single bunks 1870 x 620 (6' 1" x 2')
MTPLM	1523kg / 30cwt	1538kg / 30.3cwt	1711kg / 33.7cwt
Mass in Running Order	1368kg / 26.9cwt	1374kg / 27cwt	1541kg / 30cwt
Personal Payload	155kg / 3.1cwt	164kg / 3.2cwt	170kg / 3.3cwt
Options Payload	0kg / 0cwt	0kg / 0cwt	0kg / 0cwt
Total / Maximum User Payload	155kg / 3.1cwt	164kg / 3.2cwt	170kg / 3.3cwt
Maximum Hitch Weight	100kg / 1.9cwt	100kg / 1.9cwt	100kg / 1.9cwt
Awning Size (Approx. for reference only)	1010cm	1005cm	1064cm
Upper MTPLM (Optional weight plate upgrade)	1550kg	1550kg	1800kg

PASTICHE TECHNICAL SPECIFICATIONS

MODEL	460	470	520
Number of Berths	2	2	3
Interior Length	4625mm / 15' 2"	4700mm / 15' 5"	5295mm / 17' 4"
Shipping Length	6255mm / 20' 6"	6330mm / 20' 9"	6925mm / 22' 9"
Overall Width	2260mm / 7' 5"	2260mm / 7' 5"	2260mm / 7' 5"
Overall Height (including T.V Aerial)	2600mm / 8' 6"	2600mm / 8' 6"	2600mm / 8' 6"
Maximum Headroom	1955mm / 6' 5"	1955mm / 6' 5"	1955mm / 6' 5"
Wheel Rim	5.5J x 14	5.5J x 14	5.5J x 14
Tyre Size	185 R14 104	185 R14 104	185 R14 104
Tyre Pressure (bar / psi at quoted MTPLM)	4.5 / 65	4.5 / 65	4.5 / 65
Bed Sizes - mm - option 1	2 x Single 1860 x 730 (6' 1" x 2' 5")	1 x Single 1865 x 760 (6' 1" x 2' 6") 1 x Single 1780 x 770 (5' 10" x 2' 6")	2 x Single 1860 x 730 (6' 1" x 2' 5") 1 x Single 1830 x 720 (6' 0" x 2' 4")
Bed Sizes - mm - option 2	1 x Double 2010 x 1500 (6' 7" x 4' 11")	1 x Double 1865 x 1300 (6' 1" x 4' 3")	1 x Double 2010 x 1500 (6' 7" x 4' 11") 1 x Single 1830 x 720 (6' 0" x 2' 4")
MTPLM	1335kg / 26.3cwt	1320kg / 26cwt	1435kg / 28.2cwt
Mass in Running Order	1212kg / 23.9cwt	1196kg / 23.5cwt	1295kg / 25.5cwt
Personal Payload	123kg / 2.4cwt	124kg / 2.4cwt	140kg / 2.8cwt
Options Payload	0kg / 0cwt	0kg / 0cwt	0kg / 0cwt
Total / Maximum User Payload	123kg / 2.4cwt	124kg / 2.4cwt	140kg / 2.8cwt
Maximum Hitch Weight	100kg / 1.9cwt	100kg / 1.9cwt	100kg / 1.9cwt
Awning Size (Approx. for reference only)	893cm	900cm	960cm
Upper MTPLM (Optional weight plate upgrade)	1350kg	1350kg	1500kg

Note:- Please consult your dealer, for terms and conditions regarding a weight plate upgrade, to the upper MTPLM.

Note:- Awning sizes are given as a reference guide only, and are measured as the full length of the channel, with the height to the ground. Advise and dimensions should be checked with the awning manufacturer.

PASTICHE TECHNICAL SPECIFICATIONS

MODEL	545	565	575
Number of Berths	4	4	4
Interior Length	5800mm / 19' 0"	5750mm / 18' 10"	5800mm / 19' 0"
Shipping Length	7430mm / 24' 5"	7380mm / 24' 3"	7430mm / 24' 5"
Overall Width	2260mm / 7' 5"	2260mm / 7' 5"	2260mm / 7' 5"
Overall Height (including T.V Aerial)	2600mm / 8' 6"	2600mm / 8' 6"	2600mm / 8' 6"
Maximum Headroom	1955mm / 6' 5"	1955mm / 6' 5"	1955mm / 6' 5"
Wheel Rim	5.5J x 14	5.5J x 14	5.5J x 14
Tyre Size	185 R14 104	185 R14 104	185 R14 104
Tyre Pressure (bar / psi at quoted MTPLM)	4.5 / 65	4.5 / 65	4.5 / 65
Bed Sizes - mm - option 1	2 x Single 1540 x 730 (5' 1" x 2' 5") 1 x Double 1810 x 1370 (5' 11" x 4' 6")	2 x Single 1540 x 730 (5' 1" x 2' 5") 2 x Single 1890 x 715 (6' 2" x 2' 4") 1850 x 715 (6' x 2' 4")	2 x Single 1540 x 730 (5' 1" x 2' 5") 1 x Double 1875 x 1350 (6' 2" x 4' 5")
Bed Sizes - mm - option 2	1 x Double 2010 x 1180 (6' 7" x 3' 10") 1 x Double 1810 x 1370 (5' 11" x 4' 6")	1 x Double 2010 x 1180 (6' 7" x 3' 10") 2 x Single 1890 x 715 (6' 2" x 2' 4") 1850 x 715 (6' 0" x 2' 4")	1 x Double 2010 x 1180 (6' 7" x 3' 10") 1 x Double 1875 x 1350 (6' 2" x 4' 5")
MTPLM	1535kg / 30.2cwt	1530kg / 30.1cwt	1525kg / 30cwt
Mass in Running Order	1380kg / 27.2cwt	1376kg / 27.1cwt	1370kg / 27cwt
Personal Payload	155kg / 3.1cwt	154kg / 3cwt	155kg / 3.1cwt
Options Payload	0kg / 0cwt	0kg / 0cwt	0kg / 0cwt
Total / Maximum User Payload	155kg / 3.1cwt	154kg / 3cwt	155kg / 3.1cwt
Maximum Hitch Weight	100kg / 1.9cwt	100kg / 1.9cwt	100kg / 1.9cwt
Awning Size (Approx. for reference only)	1010cm	1005cm	1010cm
Upper MTPLM (Optional weight plate upgrade)	1550kg	1550kg	1550kg

VIP TECHNICAL SPECIFICATIONS

MODEL	460	520	545
Number of Berths	2	3	4
Interior Length	4750mm / 15' 7"	5420mm / 17' 9"	5800mm / 19' 0"
Shipping Length	6380mm / 20' 11"	7050mm / 23' 2"	7430mm / 24' 5"
Overall Width	2310mm / 7' 7"	2310mm / 7' 7"	2310mm / 7' 7"
Overall Height (including T.V Aerial)	2650mm / 8' 8"	2650mm / 8' 8"	2650mm / 8' 8"
Overall Height (including Air Conditioner)	2750mm / 9' 0"	2750mm / 9' 0"	2750mm / 9' 0"
Maximum Headroom	1955mm / 6' 5"	1955mm / 6' 5"	1955mm / 6' 5"
Wheel Rim	5.5J x 14	5.5J x 14	6.0J x 15
Tyre Size	185 R14 104	185 R14 104	195/70 R15 104
Tyre Pressure (bar / psi at quoted MTPLM)	4.5 / 65	4.5 / 65	4.5 / 65
Bed Sizes - mm - option 1	2x Single 1845 x 725 (6' 0" x 2' 4")	2x Single 1845 x 725 (6' 0" x 2' 4") 1x Single 1830 x 720 (6' 0" x 2' 4")	2 x Single 1505 x 725 (5' 0" x 2' 4") 1 x Double 1815 x 1370 (5' 11" x 4' 6")
Bed Sizes - mm - option 2	1x Double 2075 x 1720 (6' 9" x 5' 8")	1x Double 2075 x 1720 (6' 9" x 5' 8") 1x Single 1830 x 720 (6' 0" x 2' 4")	1 x Double 2075 x 1390 (6' 9" x 4' 7") 1 x Double 1815 x 1370 (5' 11" x 4' 6")
MTPLM	1425kg / 28.1cwt	1510kg / 29.7cwt	1630kg / 32.1cwt
Mass in Running Order	1300kg / 25.6cwt	1368kg / 26.9cwt	1474kg / 29cwt
Personal Payload	125kg / 2.4cwt	142kg / 2.8cwt	156kg / 3.1cwt
Options Payload	0kg / 0cwt	0kg / 0cwt	0kg / 0cwt
Total / Maximum User Payload	125kg / 2.4cwt	142kg / 2.8cwt	156kg / 3.1cwt
Maximum Hitch Weight	100kg / 1.9cwt	100kg / 1.9cwt	100kg / 1.9cwt
Awning Size (Approx. for reference only)	900cm	967cm	1005cm
Upper MTPLM (Optional weight plate upgrade)	1500kg	1550kg	1700kg

Note:- Please consult your dealer, for terms and conditions regarding a weight plate upgrade, to the upper MTPLM.

Note:- If air conditioner fitted, overall height will be the greater value specified above

Note:- Awning sizes are given as a reference guide only, and are measured as the full length of the channel, with the height to the ground. Advise and dimensions should be checked with the awning manufacturer.

VIP TECHNICAL SPECIFICATIONS

MODEL	565	570	575
Number of Berths	4	5	4
Interior Length	5740mm / 18' 10"	5800mm / 19' 0"	5800mm / 19' 0"
Shipping Length	7370mm / 24' 2"	7430mm / 24' 5"	7430mm / 24' 5"
Overall Width	2310mm / 7' 7"	2310mm / 7' 7"	2310mm / 7' 7"
Overall Height (including T.V Aerial)	2650mm / 8' 8"	2650mm / 8' 8"	2650mm / 8' 8"
Overall Height (including Air Conditioner)	2750mm / 9' 0"	2750mm / 9' 0"	2750mm / 9' 0"
Maximum Headroom	1955mm / 6' 5"	1955mm / 6' 5"	1955mm / 6' 5"
Wheel Rim	6.0J x 15	6.0J x 15	6.0J x 15
Tyre Size	195/70 R15 104	195/70 R15 104	195/70 R15 104
Tyre Pressure (bar / psi at quoted MTPLM)	4.5 / 65	4.5 / 65	4.5 / 65
Bed Sizes - mm - option 1	2 x Single 1505 x 725 (5' 0" x 2' 4") 1 x Single 1880 x 715 (6' 2" x 2' 4") 1 x Single 1830 x 715 (6' 0" x 2' 4")	2 x Single 1705 x 725 (5' 7" x 2' 4") 1 x Single 1810 x 710 (5' 11" x 2' 4") 2 x Single bunks 1685 x 625 (5' 6" x 2' 0")	2 x Single 1505 x 725 (5' 0" x 2' 4") 1 x Double 1875 x 1350 (6' 2" x 4' 5")
Bed Sizes - mm - option 2	1 x Double 2075 x 1390 (6' 9" x 4' 7") 1 x Single 1880 x 715 (6' 2" x 2' 4") 1 x Single 1830 x 715 (6' 0" x 2' 4")	1 x Double 2075 x 1580 (6' 9" x 5' 2") 1 x Single 1810 x 710 (5' 11" x 2' 4") 2 x Single bunks 1685 x 625 (5' 6" x 2' 0")	1 x Double 2075 x 1390 (6' 9" x 4' 7") 1 x Double 1875 x 1350 (6' 2" x 4' 5")
MTPLM	1630kg / 32.1cwt	1665kg / 32.8cwt	1630kg / 32.1cwt
Mass in Running Order	1475kg / 29cwt	1499kg / 29.5cwt	1474kg / 29cwt
Personal Payload	155kg / 3.1cwt	166kg / 3.3cwt	156kg / 3.1cwt
Options Payload	0kg / 0cwt	0kg / 0cwt	0kg / 0cwt
Total / Maximum User Payload	155kg / 3.1cwt	166kg / 3.3cwt	156kg / 3.1cwt
Maximum Hitch Weight	100kg / 1.9cwt	100kg / 1.9cwt	100kg / 1.9cwt
Awning Size (Approx. for reference only)	999cm	1005cm	1005cm
Upper MTPLM (Optional weight plate upgrade)	1700kg	1700kg	1700kg

VIP TECHNICAL SPECIFICATIONS - DEALER SPECIALS

MODEL	460	520	545
Number of Berths	2	3	4
Interior Length	4750mm / 15' 7"	5420mm / 17' 9"	5800mm / 19' 0"
Shipping Length	6380mm / 20' 11"	7050mm / 23' 2"	7430mm / 24' 5"
Overall Width	2310mm / 7' 7"	2310mm / 7' 7"	2310mm / 7' 7"
Overall Height (including T.V Aerial)	2650mm / 8' 8"	2650mm / 8' 8"	2650mm / 8' 8"
Overall Height (including Air Conditioner)	2750mm / 9' 0"	2750mm / 9' 0"	2750mm / 9' 0"
Maximum Headroom	1955mm / 6' 5"	1955mm / 6' 5"	1955mm / 6' 5"
Wheel Rim	5.5J x 14	5.5J x 14	6.0J x 15
Tyre Size	185 R14 104	185 R14 104	195/70 R15 104
Tyre Pressure (bar / psi at quoted MTPLM)	4.5 / 65	4.5 / 65	4.5 / 65
Bed Sizes - mm - option 1	2x Single 1845 x 725 (6' 0" x 2' 4")	2x Single 1845 x 725 (6' 0" x 2' 4") 1x Single 1830 x 720 (6' 0" x 2' 4")	2 x Single 1505 x 725 (5' 0" x 2' 4") 1 x Double 1815 x 1370 (5' 11" x 4' 6")
Bed Sizes - mm - option 2	1x Double 2075 x 1720 (6' 9" x 5' 8")	1x Double 2075 x 1720 (6' 9" x 5' 8") 1x Single 1830 x 720 (6' 0" x 2' 4")	1 x Double 2075 x 1390 (6' 9" x 4' 7") 1 x Double 1815 x 1370 (5' 11" x 4' 6")
MTPLM	1445kg / 28.4cwt	1530kg / 30.1cwt	1650kg / 32.5cwt
Mass in Running Order	1320kg / 26cwt	1388kg / 27.3cwt	1494kg / 29.4cwt
Personal Payload	125kg / 2.4cwt	142kg / 2.8cwt	156kg / 3.1cwt
Options Payload	0kg / 0cwt	0kg / 0cwt	0kg / 0cwt
Total / Maximum User Payload	125kg / 2.4cwt	142kg / 2.8cwt	156kg / 3.1cwt
Maximum Hitch Weight	100kg / 1.9cwt	100kg / 1.9cwt	100kg / 1.9cwt
Awning Size (Approx. for reference only)	900cm	967cm	1005cm
Upper MTPLM (Optional weight plate upgrade)	1500kg	1550kg	1700kg

Note:- Please consult your dealer, for terms and conditions regarding a weight plate upgrade, to the upper MTPLM.

Note:- If air conditioner fitted, overall height will be the greater value specified above

Note:- Awning sizes are given as a reference guide only, and are measured as the full length of the channel, with the height to the ground. Advise and dimensions should be checked with the awning manufacturer.

VIP TECHNICAL SPECIFICATIONS - DEALER SPECIALS

MODEL	565	570	575
Number of Berths	4	5	4
Interior Length	5740mm / 18' 10"	5800mm / 19' 0"	5800mm / 19' 0"
Shipping Length	7370mm / 24' 2"	7430mm / 24' 5"	7430mm / 24' 5"
Overall Width	2310mm / 7' 7"	2310mm / 7' 7"	2310mm / 7' 7"
Overall Height (including T.V Aerial)	2650mm / 8' 8"	2650mm / 8' 8"	2650mm / 8' 8"
Overall Height (including Air Conditioner)	2750mm / 9' 0"	2750mm / 9' 0"	2750mm / 9' 0"
Maximum Headroom	1955mm / 6' 5"	1955mm / 6' 5"	1955mm / 6' 5"
Wheel Rim	6.0J x 15	6.0J x 15	6.0J x 15
Tyre Size	195/70 R15 104	195/70 R15 104	195/70 R15 104
Tyre Pressure (bar / psi at quoted MTPLM)	4.5 / 65	4.5 / 65	4.5 / 65
Bed Sizes - mm - option 1	2 x Single 1505 x 725 (5' 0" x 2' 4") 1 x Single 1880 x 715 (6' 2" x 2' 4") 1 x Single 1830 x 715 (6' 0" x 2' 4")	2 x Single 1705 x 725 (5' 7" x 2' 4") 1 x Single 1810 x 710 (5' 11" x 2' 4") 2 x Single bunks 1685 x 625 (5' 6" x 2' 0")	2 x Single 1505 x 725 (5' 0" x 2' 4") 1 x Double 1875 x 1350 (6' 2" x 4' 5")
Bed Sizes - mm - option 2	1 x Double 2075 x 1390 (6' 9" x 4' 7") 1 x Single 1880 x 715 (6' 2" x 2' 4") 1 x Single 1830 x 715 (6' 0" x 2' 4")	1 x Double 2075 x 1580 (6' 9" x 5' 2") 1 x Single 1810 x 710 (5' 11" x 2' 4") 2 x Single bunks 1685 x 625 (5' 6" x 2' 0")	1 x Double 2075 x 1390 (6' 9" x 4' 7") 1 x Double 1875 x 1350 (6' 2" x 4' 5")
MTPLM	1650kg / 32.5cwt	1685kg / 33.2cwt	1650kg / 32.5cwt
Mass in Running Order	1495kg / 29.4cwt	1519kg / 29.9cwt	1494kg / 29.4cwt
Personal Payload	155kg / 3.1cwt	166kg / 3.3cwt	156kg / 3.1cwt
Options Payload	0kg / 0cwt	0kg / 0cwt	0kg / 0cwt
Total / Maximum User Payload	155kg / 3.1cwt	166kg / 3.3cwt	156kg / 3.1cwt
Maximum Hitch Weight	100kg / 1.9cwt	100kg / 1.9cwt	100kg / 1.9cwt
Awning Size (Approx. for reference only)	999cm	1005cm	1005cm
Upper MTPLM (Optional weight plate upgrade)	1700kg	1700kg	1700kg

LASER TECHNICAL SPECIFICATIONS

MODEL	650	665	675
Number of Berths	4	4	4
Interior Length	6265mm / 20' 7"	6265mm / 20' 7"	6265mm / 20' 7"
Shipping Length	7895mm / 25' 11"	7895mm / 25' 11"	7895mm / 25' 11"
Overall Width	2310mm / 7' 7"	2310mm / 7' 7"	2310mm / 7' 7"
Overall Height (including T.V Aerial)	2650mm / 8' 8"	2650mm / 8' 8"	2650mm / 8' 8"
Overall Height (including Air Conditioner)	2750mm / 9' 0"	2750mm / 9' 0"	2750mm / 9' 0"
Maximum Headroom	1955mm / 6' 5"	1955mm / 6' 5"	1955mm / 6' 5"
Wheel Rim	5.5J x 14	5.5J x 14	5.5J x 14
Tyre Size	185/70 R14 88	185/70 R14 88	185/70 R14 88
Tyre Pressure (bar / psi at quoted MTPLM)	2.4 / 35	2.4 / 35	2.4 / 35
Bed Sizes - mm - option 1	2x Single 1505 x 725 (5' 0" x 2' 4") 1 x Double 1815 x 1370 (5' 11" x 4' 6")	2x Single 1505 x 725 (5' 0" x 2' 4") 2 x Single 1910 x 800 max. (6' 3" x 2' 7")	2x Single 1505 x 725 (5' 0" x 2' 4") 1 x Double 1875 x 1350 (6' 2" x 4' 5")
Bed Sizes - mm - option 2	1 x Double 2075 x 1390 (6' 9" x 4' 7") 1 x Double 1815 x 1370 (5' 11" x 4' 6")	1x Double 2075 x 1390 (6' 9" x 4' 7") 2 x Single 1910 x 800 max. (6' 3" x 2' 7")	1 x Double 2075 x 1390 (6' 9" x 4' 7") 1 x Double 1875 x 1350 (6' 2" x 4' 5")
MTPLM	1810kg / 35.6cwt	1820kg / 35.8cwt	1800kg / 0cwt
Mass in Running Order	1650kg / 32.5cwt	1660kg / 32.7cwt	1640kg / 32.3cwt
Personal Payload	160kg / 3.1cwt	160kg / 3.1cwt	160kg / 3.1cwt
Options Payload	0kg / 0cwt	0kg / 0cwt	0kg / 0cwt
Total / Maximum User Payload	160kg / 3.1cwt	160kg / 3.1cwt	160kg / 3.1cwt
Maximum Hitch Weight	100kg / 1.9cwt	100kg / 1.9cwt	100kg / 1.9cwt
Awning Size (Approx. for reference only)	1051cm	1051cm	1051cm
Upper MTPLM (Optional weight plate upgrade)	1900kg	1900kg	1900kg

Note:- Please consult your dealer, for terms and conditions regarding a weight plate upgrade, to the upper MTPLM.

Note:- If air conditioner fitted, overall height will be greater than value specified above

Note:- Awning sizes are given as a reference guide only, and are measured as the full length of the channel, with the height to the ground. Advise and dimensions should be checked with the awning manufacturer.

LASER TECHNICAL SPECIFICATIONS - DEALER SPECIALS

MODEL	650	665	675
Number of Berths	4	4	4
Interior Length	6265mm / 20' 7"	6265mm / 20' 7"	6265mm / 20' 7"
Shipping Length	7895mm / 25' 11"	7895mm / 25' 11"	7895mm / 25' 11"
Overall Width	2310mm / 7' 7"	2310mm / 7' 7"	2310mm / 7' 7"
Overall Height (including T.V Aerial)	2650mm / 8' 8"	2650mm / 8' 8"	2650mm / 8' 8"
Overall Height (including Air Conditioner)	2750mm / 9' 0"	2750mm / 9' 0"	2750mm / 9' 0"
Maximum Headroom	1955mm / 6' 5"	1955mm / 6' 5"	1955mm / 6' 5"
Wheel Rim	5.5J x 14	5.5J x 14	5.5J x 14
Tyre Size	185/70 R14 88	185/70 R14 88	185/70 R14 88
Tyre Pressure (bar / psi at quoted MTPLM)	2.4 / 35	2.4 / 35	2.4 / 35
Bed Sizes - mm - option 1	2x Single 1505 x 725 (5' 0" x 2' 4") 1 x Double 1815 x 1370 (5' 11" x 4' 6")	2x Single 1505 x 725 (5' 0" x 2' 4") 2 x Single 1910 x 800 max. (6' 3" x 2'7")	2x Single 1505 x 725 (5' 0" x 2' 4") 1 x Double 1875 x 1350 (6' 2" x 4' 5")
Bed Sizes - mm - option 2	1 x Double 2075 x 1390 (6' 9" x 4' 7") 1 x Double 1815 x 1370 (5' 11" x 4' 6")	1x Double 2075 x 1390 (6' 9" x 4' 7") 2 x Single 1910 x 800 max. (6'3" x 2'7")	1 x Double 2075 x 1390 (6' 9" x 4' 7") 1 x Double 1875 x 1350 (6' 2" x 4' 5")
MTPLM	1830kg / 36cwt	1840kg / 36.2cwt	1820kg / 35.8cwt
Mass in Running Order	1670kg / 32.9cwt	1680kg / 33.1cwt	1660kg / 32.7cwt
Personal Payload	160kg / 3.1cwt	160kg / 3.1cwt	160kg / 3.1cwt
Options Payload	0kg / 0cwt	0kg / 0cwt	0kg / 0cwt
Total / Maximum User Payload	160kg / 3.1cwt	160kg / 3.1cwt	160kg / 3.1cwt
Maximum Hitch Weight	100kg / 1.9cwt	100kg / 1.9cwt	100kg / 1.9cwt
Awning Size (Approx. for reference only)	1051cm	1051cm	1051cm
Upper MTPLM (Optional weight plate upgrade)	1900kg	1900kg	1900kg

INTERNAL AND EXTERNAL LIGHTS

All LED lights are irreplaceable - unit needs to be replaced.

EXTERNAL ROAD LIGHTS

LIGHT	BULB
Number plate light	12V 5W clear festoon bulb
COBO oval combination lamp - fog/ reverse - Vision and Pastiche only	2 x 12V 21W clear bulb (bayonet), (P21W)
COBO oval combination lamp - stop/ tail/ indicator- Vision and Pastiche only	1 x 12V 21W clear bulb (bayonet),(P21W)
	1 x 12V 21/5W clear double filament bulb (bayonet) P21W/5W
Caraluna X L/H rear cluster light -VIP and Laser only	1 x 12V tail lamp / brake light (P21/5W) twin filament
	1 x 12V indicator light (PY21W)
	1 x 12V reversing light (P21W)
	1 x 12V rear fog light (H21W)
Caraluna X R/H rear cluster light – VIP and Laser only	1 x 12V tail lamp / brake light (P21/5W) twin filament
	1 x 12V indicator light (PY21W)
	1 x 12V reversing light (P21W)
	1 x 12V rear fog light (H21W)
Red and white end outline LED marker light – Vision and Pastiche only	1 x 12V 5W clear bulb (bayonet)



COACHMAN

COACHMAN CARAVAN COMPANY LTD

Amsterdam Road
Sutton Fields Industrial Estate
Hull
HU7 0XF
Email: info@coachman.co.uk

www.coachman.co.uk

Coachman Caravan Company Limited reserves the right to, and does from time to time alter technical specifications, prices and model ranges as materials, model improvements and conditions demands. Therefore can accept no responsibility for discrepancies between these and subsequent models.

All Coachman models have been certified by the National Caravan Council for compliance with stringent European Standards, British Legislation and industry set Codes of Practice, specifically relating to health and safety issues. The approval process covers the testing and inspection of critical areas of the product from fire safety, weights and dimensions to gas, electrics and ventilation.

Every Coachman caravan carries the "NCC Approved Caravan" badge. The NCC also conducts unannounced inspections at the Coachman factory to ensure continued compliance. NCC Approval gives you peace of mind that your caravan is legal and safe.

Please note: Touring caravans are designated by the model year. The model year runs from the 1st September to the 31st August.